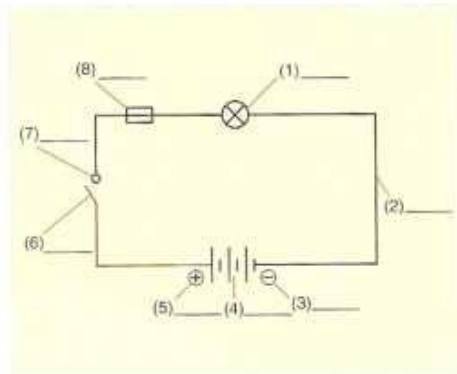


2 Electrical circuit

Start here 1 Do you know these electrical symbols? Label the circuit diagram with the words in the box.

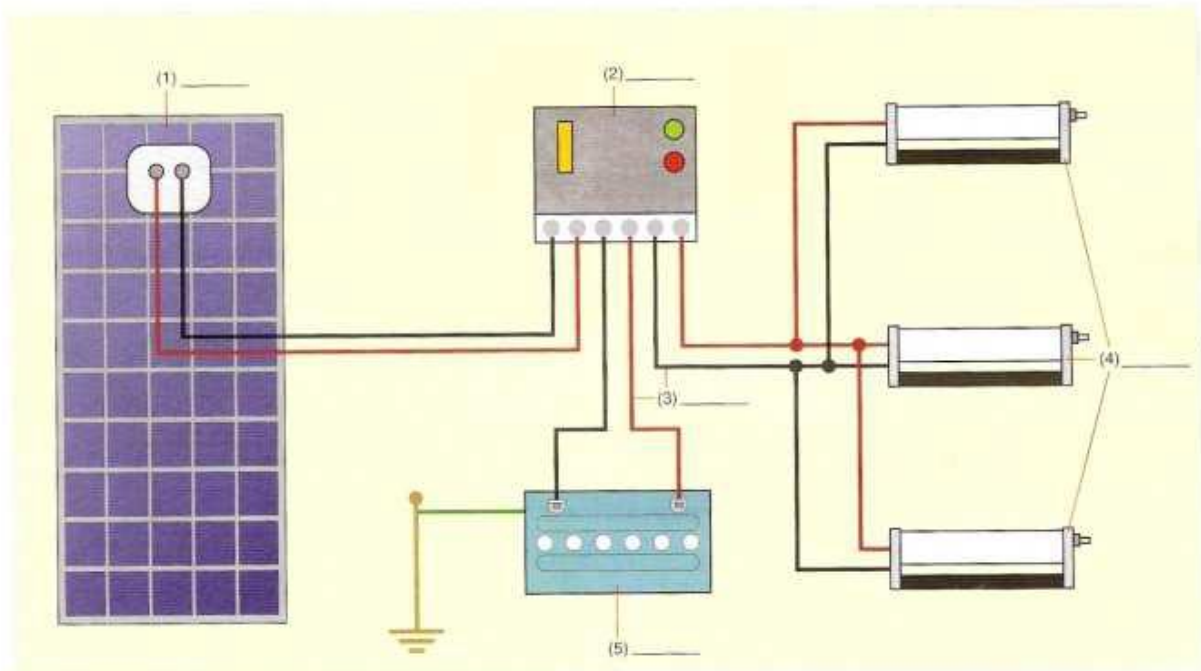
battery conductor fuse lamp
negative positive switch terminal


See the glossary of electrical symbols on page 59 for answers.



Listening 2  28 Listen and label the diagram with the words in the box.

battery cables controller lamps solar panel



3  29 Listen and match the items with their specifications.

- | | |
|----------------------|--------------|
| 1 solar panel | a) 12V 8W |
| 2 controller | b) DC |
| 3 battery | c) 5A |
| 4 lamps | d) 60W |
| 5 electrical current | e) 12V 100Ah |

Task 4 Work in pairs. Look again at the diagram in 2. Where does the current flow in these three situations? Draw arrows.

Situation 1: The Sun shines. The lamps are on.

Situation 2: The Sun shines. The lamps are off.

Situation 3: The Sun doesn't shine. The lamps are on.