

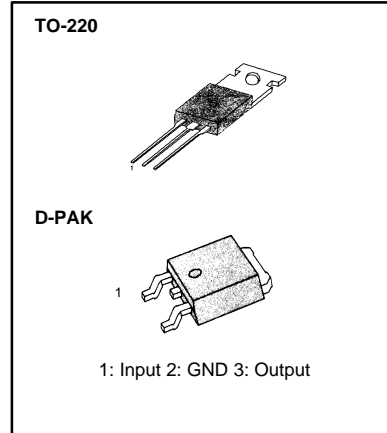
LM78XX (KA78XX, MC78XX) FIXED VOLTAGE REGULATOR (POSITIVE)

3-TERMINAL 1A POSITIVE VOLTAGE REGULATORS

The LM78XX series of three-terminal positive regulators are available in the TO-220/D-PAK package and with several fixed output voltages, making them useful in a wide range of applications. Each type employs internal current limiting, thermal shut-down and safe area protection, making it essentially indestructible. If adequate heat sinking is provided, they can deliver over 1A output current. Although designed primarily as fixed voltage regulators, these devices can be used with external components to obtain adjustable voltages and currents.

FEATURES

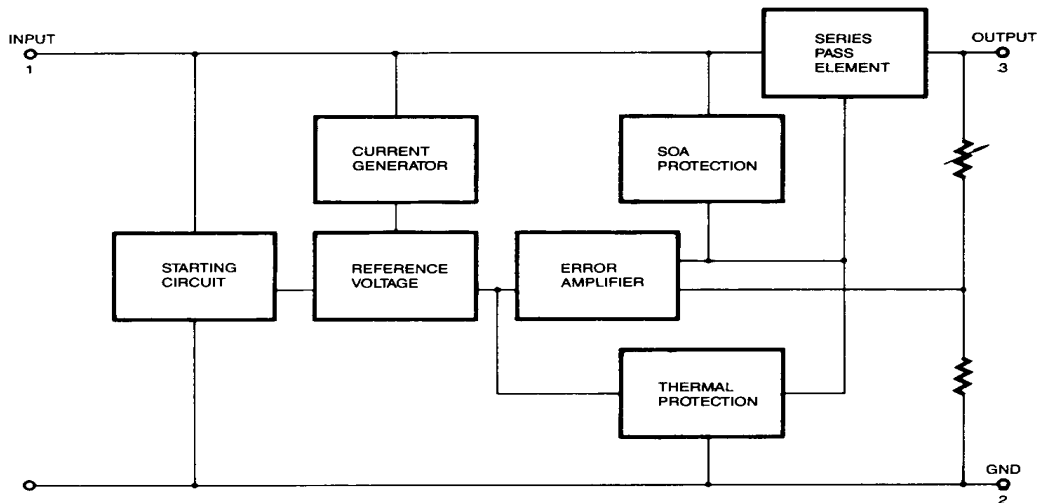
- Output Current up to 1A
- Output Voltages of 5, 6, 8, 9, 10, 11, 12, 15, 18, 24V
- Thermal Overload Protection
- Short Circuit Protection
- Output Transistor SOA Protection



ORDERING INFORMATION

Device	Output Voltage Tolerance	Package	Operating Temperature
KA78XXCT	± 4%	TO-220	0 ~ +125 °C
KA78XXAT	± 2%		-40 ~ +125 °C
KA78XXIT	± 4%		
KA78XXR	± 2%	D-PAK	0 ~ +125 °C
KA78XXAR	± 2%		-40 ~ +125 °C
KA78XXIR	± 4%		

BLOCK DIAGRAM



LM78XX (KA78XX, MC78XX) FIXED VOLTAGE REGULATOR (POSITIVE)

ABSOLUTE MAXIMUM RATINGS (T_A = +25°C, unless otherwise specified)

Characteristic	Symbol	Value	Unit
Input Voltage (for V _O = 5V to 18V) (for V _O = 24V)	V _I	35	V
	V _I	40	V
Thermal Resistance Junction-Cases	R _{θJC}	5	°C/W
Thermal Resistance Junction-Air	R _{θJA}	65	°C/W
Operating Temperature Range KA78XX/A/R/RA KA78XXI/RI	T _{OPR}	0 ~ +125	°C
		-40 ~ +125	°C
Storage Temperature Range	T _{STG}	-65 ~ +150	°C

LM7805/I/R/RI ELECTRICAL CHARACTERISTICS

(Refer to test circuit, T_{MIN} < T_J < T_{MAX}, I_O = 500mA, V_I = 10V, C_I = 0.33μF, C_O = 0.1μF, unless otherwise specified)

Characteristic	Symbol	Test Conditions	LM7805I			LM7805			Unit
			Min	Typ	Max	Min	Typ	Max	
Output Voltage	V _O	T _J = +25°C	4.8	5.0	5.2	4.8	5.0	5.2	V
		5.0mA ≤ I _O ≤ 1.0A, P _O ≤ 15W V _I = 7V to 20V V _I = 8V to 20V	4.75	5.0	5.25	4.75	5.0	5.25	
Line Regulation	ΔV _O	T _J = +25°C	V _O = 7V to 25V	4.0	100		4.0	100	mV
			V _I = 8V to 12V	1.6	50		1.6	50	
Load Regulation	ΔV _O	T _J = +25°C	I _O = 5.0mA to 1.5A	9	100		9	100	mV
			I _O = 250mA to 750mA	4	50		4	50	
Quiescent Current	I _Q	T _J = +25°C		5.0	8		5.0	8	mA
Quiescent Current Change	ΔI _Q	I _O = 5mA to 1.0A		0.03	0.5		0.03	0.5	mA
			V _I = 7V to 25V				0.3	1.3	
			V _I = 8V to 25V		0.3	1.3			
Output Voltage Drift	ΔV _O /ΔT	I _O = 5mA		-0.8			-0.8		mV/°C
Output Noise Voltage	V _N	f = 10Hz to 100KHz, T _A = +25°C		42			42		μV/V _O
Ripple Rejection	RR	f = 120Hz V _O = 8 to 18V	62	73		62	73		dB
Dropout Voltage	V _O	I _O = 1A, T _J = +25°C		2			2		V
Output Resistance	R _O	f = 1KHz		15			15		mΩ
Short Circuit Current	I _{SC}	V _I = 35V, T _A = +25°C		230			230		mA
Peak Current	I _{PK}	T _J = +25°C		2.2			2.2		A

* T_{MIN} < T_J < T_{MAX}

LM78XXI/RI: T_{MIN} = -40°C, T_{MAX} = +125°C

LM78XX/R: T_{MIN} = 0°C, T_{MAX} = +125°C

* Load and line regulation are specified at constant junction temperature. Changes in V_O due to heating effects must be taken into account separately. Pulse testing with low duty is used.

LM78XX (KA78XX, MC78XX) FIXED VOLTAGE REGULATOR (POSITIVE)

LM7806//R/RI ELECTRICAL CHARACTERISTICS

(Refer to test circuit, $T_{MIN} < T_J < T_{MAX}$, $I_O = 500\text{mA}$, $V_I = 11\text{V}$, $C_I = 0.33\mu\text{F}$, $C_O = 0.1\mu\text{F}$, unless otherwise specified)

Characteristic	Symbol	Test Conditions	LM7806I			LM7806			Unit	
			Min	Typ	Max	Min	Typ	Max		
Output Voltage	V_O	$T_J = +25^\circ\text{C}$	5.75	6.0	6.25	5.75	6.0	6.25	V	
		$5.0\text{mA} \leq I_O \leq 1.0\text{A}$, $P_D \leq 15\text{W}$								
		$V_I = 8.0\text{V to } 21\text{V}$ $V_I = 9.0\text{V to } 21\text{V}$	5.7	6.0	6.3	5.7	6.0	6.3		
Line Regulation	ΔV_O	$T_J = +25^\circ\text{C}$	$V_I = 8\text{V to } 25\text{V}$	5	120		5	120	mV	
			$V_I = 9\text{V to } 13\text{V}$	1.5	60		1.5	60		
Load Regulation	ΔV_O	$T_J = +25^\circ\text{C}$	$I_O = 5\text{mA to } 1.5\text{A}$	9	120		9	120	mV	
			$I_O = 250\text{mA to } 750\text{mA}$	3	60		3	60		
Quiescent Current	I_Q	$T_J = +25^\circ\text{C}$		5.0	8		5.0	8	mA	
Quiescent Current Change	ΔI_Q	$T_J = +25^\circ\text{C}$	$I_O = 5\text{mA to } 1\text{A}$			0.5			0.5	mA
			$V_I = 8\text{V to } 25\text{V}$						1.3	
			$V_I = 9\text{V to } 25\text{V}$			1.3				
Output Voltage Drift	$\Delta V_O / \Delta T$	$I_O = 5\text{mA}$		-0.8			-0.8		mV/ $^\circ\text{C}$	
Output Noise Voltage	V_N	$f = 10\text{Hz to } 100\text{KHz}$, $T_A = +25^\circ\text{C}$		45			45		$\mu\text{V}/V_O$	
Ripple Rejection	RR	$f = 120\text{Hz}$ $V_I = 9\text{V to } 19\text{V}$	59	75		59	75		dB	
Dropout Voltage	V_D	$I_O = 1\text{A}$, $T_J = +25^\circ\text{C}$		2			2		V	
Output Resistance	R_D	$f = 1\text{KHz}$		19			19		$\text{m}\Omega$	
Short Circuit Current	I_{SC}	$V_I = 35\text{V}$, $T_A = +25^\circ\text{C}$		250			250		mA	
Peak Current	I_{PK}	$T_J = +25^\circ\text{C}$		2.2			2.2		A	

* $T_{MIN} < T_J < T_{MAX}$

LM78XXI/RI: $T_{MIN} = -40^\circ\text{C}$, $T_{MAX} = +125^\circ\text{C}$

LM78XX/R: $T_{MIN} = 0^\circ\text{C}$, $T_{MAX} = +125^\circ\text{C}$

* Load and line regulation are specified at constant, junction temperature. Change in V_O due to heating effects must be taken into account separately. Pulse testing with low duty is used.

LM78XX (KA78XX, MC78XX) FIXED VOLTAGE REGULATOR (POSITIVE)

LM7808//R//RI ELECTRICAL CHARACTERISTICS

(Refer to test Circuit, $T_{MIN} < T_J < T_{MAX}$, $I_O = 500mA$, $V_I = 14V$, $C_I = 0.33\mu F$, $C_O = 0.1\mu F$, unless otherwise specified)

Characteristic	Symbol	Test Conditions	LM7808I			LM7808			Unit
			Min	Typ	Max	Min	Typ	Max	
Output Voltage	V_O	$T_J = +25^\circ C$	7.7	8.0	8.3	7.7	8.0	8.3	V
		$5.0mA \leq I_O \leq 1.0A$, $P_O \leq 15W$ $V_I = 10.5V$ to $23V$ $V_I = 11.5V$ to $23V$	7.6	8.0	8.4	7.6	8.0	8.4	
Line Regulation	ΔV_O	$T_J = +25^\circ C$	$V_I = 10.5V$ to $25V$	5.0	160		5.0	160	mV
			$V_I = 11.5V$ to $17V$	2.0	80		2.0	80	
Load Regulation	ΔV_O	$T_J = +25^\circ C$	$I_O = 5.0mA$ to $1.5A$	10	160		10	160	mV
			$I_O = 250mA$ to $750mA$	5.0	80		5.0	80	
Quiescent Current	I_Q	$T_J = +25^\circ C$		5.0	8		5.0	8	mA
Quiescent Current Change	ΔI_Q	$T_J = +25^\circ C$	$I_O = 5mA$ to $1.0A$		0.05		0.05	0.5	mA
			$V_I = 10.5A$ to $25V$				0.5	1.0	
			$V_I = 11.5V$ to $25V$		0.5	1.0			
Output Voltage Drift	$\Delta V_O / \Delta T$	$I_O = 5mA$		-0.8			-0.8		mV/°C
Output Noise Voltage	V_N	$f = 10Hz$ to $100KHz$, $T_A = +25^\circ C$		52			52		$\mu V/V_O$
Ripple Rejection	RR	$f = 120Hz$, $V_I = 11.5V$ to 21.5	56	73		56	73		dB
Dropout Voltage	V_D	$I_O = 1A$, $T_J = +25^\circ C$		2			2		V
Output Resistance	R_O	$f = 1KHz$		17			17		m Ω
Short Circuit Current	I_{SC}	$V_I = 35V$, $T_A = +25^\circ C$		230			230		mA
Peak Current	I_{PK}	$T_J = +25^\circ C$		2.2			2.2		A

* $T_{MIN} < T_J < T_{MAX}$

LM78XXI/RI: $T_{MIN} = -40^\circ C$, $T_{MAX} = +125^\circ C$

LM78XX/R: $T_{MIN} = 0^\circ C$, $T_{MAX} = +125^\circ C$

* Load and line regulation are specified at constant, junction temperature. Change in V_O due to heating effects must be taken into account separately. Pulse testing with low duty is used.

LM78XX (KA78XX, MC78XX) FIXED VOLTAGE REGULATOR (POSITIVE)

LM7809/I/R/RI ELECTRICAL CHARACTERISTICS

(Refer to test circuit. $T_{MIN} < T_J < T_{MAX}$, $I_O = 500mA$, $V_I = 15V$, $C_I = 0.33\mu F$, $C_O = 0.1\mu F$, unless otherwise specified)

Characteristic	Symbol	Test Conditions	LM7809I			LM7809			Unit	
			Min	Typ	Max	Min	Typ	Max		
Output Voltage	V_O	$T_J = +25^\circ C$	8.65	9	9.35	8.65	9	9.35	V	
		$5.0mA \leq I_O \leq 1.0A$, $P_D \leq 15W$ $V_I = 11.5V$ to $24V$ $V_I = 12.5V$ to $24V$	8.6	9	9.4	8.6	9	9.4		
Line Regulation	ΔV_O	$T_J = +25^\circ C$	$V_I = 11.5V$ to $25V$		6	180		6	180	mV
			$V_I = 12V$ to $25V$		2	90		2	90	
Load Regulation	ΔV_O	$T_J = +25^\circ C$	$I_O = 5mA$ to $1.5A$		12	180		12	180	mV
			$I_O = 250mA$ to $750mA$		4	90		4	90	
Quiescent Current	I_Q	$T_J = +25^\circ C$		5.0	8		5.0	8	mA	
Quiescent Current Change	ΔI_Q	$T_J = +25^\circ C$	$I_O = 5mA$ to $1.0A$			0.5			0.5	mA
			$V_I = 11.5V$ to $26V$						1.3	
			$V_I = 12.5V$ to $26V$			1.3				
Output Voltage Drift	$\Delta V_O / \Delta T$	$I_O = 5mA$		-1			-1		mV/ $^\circ C$	
Output Noise Voltage	V_N	$f = 10Hz$ to $100KHz$, $T_A = +25^\circ C$		58			58		$\mu V / V_O$	
Ripple Rejection	RR	$f = 120Hz$ $V_I = 13V$ to $23V$	56	71		56	71		dB	
Dropout Voltage	V_D	$I_O = 1A$, $T_J = +25^\circ C$		2			2		V	
Output Resistance	R_O	$f = 1KHz$		17			17		m Ω	
Short Circuit Current	I_{SC}	$V_I = 35V$, $T_A = +25^\circ C$		250			250		mA	
Peak Current	I_{PK}	$T_J = +25^\circ C$		2.2			2.2		A	

* $T_{MIN} < T_J < T_{MAX}$

LM78XXI/RI: $T_{MIN} = -40^\circ C$, $T_{MAX} = +125^\circ C$

LM78XX/R: $T_{MIN} = 0^\circ C$, $T_{MAX} = +125^\circ C$

* Load and line regulation are specified at constant, junction temperature. Change in V_O due to heating effects must be taken into account separately. Pulse testing with low duty is used.

LM78XX (KA78XX, MC78XX) FIXED VOLTAGE REGULATOR (POSITIVE)

LM7810//R/RI ELECTRICAL CHARACTERISTICS

(Refer to test circuit, $T_{MIN} < T_J < T_{MAX}$, $I_O = 500\text{mA}$, $V_I = 16\text{V}$, $C_I = 0.33\mu\text{F}$, $C_O = 0.1\mu\text{F}$, unless otherwise specified)

Characteristic	Symbol	Test Conditions	LM7810I			LM7810			Unit
			Min	Typ	Max	Min	Typ	Max	
Output Voltage	V_O	$T_J = +25^\circ\text{C}$	9.6	10	10.4	9.6	10	10.4	V
		$5.0\text{mA} \leq I_O \leq 1.0\text{A}$, $P_D \leq 15\text{W}$ $V_I = 12.5\text{V to } 25\text{V}$ $V_I = 13.5\text{V to } 25\text{V}$	9.5	10	10.5	9.5	10	10.5	
Line Regulation	ΔV_O	$T_J = +25^\circ\text{C}$	$V_I = 12.5\text{V to } 25\text{V}$	10	200	10	200	mV	
			$V_I = 13\text{V to } 25\text{V}$	3	100	3	100		
Load Regulation	ΔV_O	$T_J = +25^\circ\text{C}$	$I_O = 5\text{mA to } 1.5\text{A}$	12	200	12	200	mV	
			$I_O = 250\text{mA to } 750\text{mA}$	4	400	4	400		
Quiescent Current	I_Q	$T_J = +25^\circ\text{C}$	5.1	8	5.1	8	mA		
Quiescent Current Change	ΔI_Q	$T_J = +25^\circ\text{C}$	$I_O = 5\text{mA to } 1.0\text{A}$		0.5		0.5	mA	
			$V_I = 12.5\text{V to } 29\text{V}$				1.0		
			$V_I = 13.5\text{V to } 29\text{V}$		1.0				
Output Voltage Drift	$\Delta V_O/\Delta T$	$I_O = 5\text{mA}$		-1		-1	mV/ $^\circ\text{C}$		
Output Noise Voltage	V_N	$f = 10\text{Hz to } 100\text{KHz}$, $T_A = +25^\circ\text{C}$		58		58	$\mu\text{V}/V_O$		
Ripple Rejection	RR	$f = 120\text{Hz}$ $V_I = 13\text{V to } 23\text{V}$	56	71	56	71	dB		
Dropout Voltage	V_D	$I_O = 1\text{A}$, $T_J = +25^\circ\text{C}$		2		2	V		
Output Resistance	R_O	$f = 1\text{KHz}$		17		17	m Ω		
Short Circuit Current	I_{SC}	$V_I = 35\text{V}$, $T_A = +25^\circ\text{C}$		250		250	mA		
Peak Current	I_{PK}	$T_J = +25^\circ\text{C}$		2.2		2.2	A		

* $T_{MIN} < T_J < T_{MAX}$

LM78XXI/RI: $T_{MIN} = -40^\circ\text{C}$, $T_{MAX} = +125^\circ\text{C}$

LM78XX/R: $T_{MIN} = 0^\circ\text{C}$, $T_{MAX} = +125^\circ\text{C}$

* Load and line regulation are specified at constant junction temperature. Change in V_O due to heating effects must be taken into account separately. Pulse testing with low duty is used.

LM78XX (KA78XX, MC78XX) FIXED VOLTAGE REGULATOR (POSITIVE)

LM7811//R/RI ELECTRICAL CHARACTERISTICS

(Refer to test circuit, $T_{MIN} < T_J < T_{MAX}$, $I_O = 500\text{mA}$, $V_I = 18\text{V}$, $C_I = 0.33\mu\text{F}$, $C_O = 0.1\mu\text{F}$, unless otherwise specified)

Characteristic	Symbol	Test Conditions	LM7811I			LM7811			Unit	
			Min	Typ	Max	Min	Typ	Max		
Output Voltage	V_O	$T_J = +25^\circ\text{C}$	10.6	11	11.4	10.6	11	11.4	V	
		$5.0\text{mA} \leq I_O \leq 1.0\text{A}$, $P_D \leq 15\text{W}$ $V_I = 13.5\text{V to } 26\text{V}$ $V_I = 14.5\text{V to } 26\text{V}$	10.5	11	11.5	10.5	11	11.5		
Line Regulation	ΔV_O	$T_J = +25^\circ\text{C}$	$V_I = 13.5\text{V to } 25\text{V}$		10	220		10	220	mV
			$V_I = 14\text{V to } 21\text{V}$		3.0	110		3	110	
Load Regulation	ΔV_O	$T_J = +25^\circ\text{C}$	$I_O = 5.0\text{mA to } 1.5\text{A}$		12	220		12	220	mV
			$I_O = 250\text{mA to } 750\text{mA}$		4	110		4	110	
Quiescent Current	I_Q	$T_J = +25^\circ\text{C}$		5.1	8		5.1	8	mA	
Quiescent Current Change	ΔI_Q	$T_J = +25^\circ\text{C}$	$I_O = 5\text{mA to } 1.0\text{A}$			0.5			0.5	mA
			$V_I = 13.5\text{V to } 29\text{V}$						1.0	
			$V_I = 14.5\text{V to } 29\text{V}$			1.0				
Output Voltage Drift	$\Delta V_O / \Delta T$	$I_O = 5\text{mA}$		-1			-1		mV/°C	
Output Noise Voltage	V_N	$f = 10\text{Hz to } 100\text{KHz}$, $T_A = +25^\circ\text{C}$		70			70		$\mu\text{V}/V_O$	
Ripple Rejection	RR	$f = 120\text{Hz}$ $V_I = 14\text{V to } 24\text{V}$	55	71		55	71		dB	
Dropout Voltage	V_D	$I_O = 1\text{A}$, $T_J = +25^\circ\text{C}$		2			2		V	
Output Resistance	R_O	$f = 1\text{KHz}$		18			18		m Ω	
Short Circuit Current	I_{SC}	$V_I = 35\text{V}$, $T_A = +25^\circ\text{C}$		250			250		mA	
Peak Current	I_{PK}	$T_J = +25^\circ\text{C}$		2.2			2.2		A	

* $T_{MIN} < T_J < T_{MAX}$

LM78XXI/RI: $T_{MIN} = -40^\circ\text{C}$, $T_{MAX} = +125^\circ\text{C}$

LM78XX/R: $T_{MIN} = 0^\circ\text{C}$, $T_{MAX} = +125^\circ\text{C}$

* Load and line regulation are specified at constant, junction temperature. Change in V_O due to heating effects must be taken into account separately. Pulse testing with low duty is used.

LM78XX (KA78XX, MC78XX) FIXED VOLTAGE REGULATOR (POSITIVE)

LM7812I/R/RI ELECTRICAL CHARACTERISTICS

(Refer to test circuit, $T_{MIN} < T_J < T_{MAX}$, $I_O = 500\text{mA}$, $V_I = 19\text{V}$, $C_I = 0.33\mu\text{F}$, $C_O = 0.1\mu\text{F}$, unless otherwise specified)

Characteristic	Symbol	Test Conditions	LM7812I			LM7812			Unit
			Min	Typ	Max	Min	Typ	Max	
Output Voltage	V_O	$T_J = +25^\circ\text{C}$	11.5	12	12.5	11.5	12	12.5	V
		$5.0\text{mA} \leq I_O \leq 1.0\text{A}$, $P_D \leq 15\text{W}$ $V_I = 14.5\text{V to } 27\text{V}$ $V_I = 15.5\text{V to } 27\text{V}$	11.4	12	12.6	11.4	12	12.6	
Line Regulation	ΔV_O	$T_J = +25^\circ\text{C}$	$V_I = 14.5\text{V to } 30\text{V}$	10	240	10	240	mV	
			$V_I = 16\text{V to } 22\text{V}$	3.0	120	3.0	120		
Load Regulation	ΔV_O	$T_J = +25^\circ\text{C}$	$I_O = 5\text{mA to } 1.5\text{A}$	11	240	11	240	mV	
			$I_O = 250\text{mA to } 750\text{mA}$	5.0	120	5.0	120		
Quiescent Current	I_O	$T_J = +25^\circ\text{C}$		5.1	8	5.1	8	mA	
Quiescent Current Change	ΔI_O	$T_J = +25^\circ\text{C}$	$I_O = 5\text{mA to } 1.0\text{A}$	0.1	0.5	0.1	0.5	mA	
			$V_I = 14.5\text{V to } 30\text{V}$			0.5	1.0		
			$V_I = 15\text{V to } 30\text{V}$		1.0				
Output Voltage Drift	$\Delta V_O / \Delta T$	$I_O = 5\text{mA}$	0.5	-1		-1		mV/ $^\circ\text{C}$	
Output Noise Voltage	V_N	$f = 10\text{Hz to } 100\text{KHz}$, $T_A = +25^\circ\text{C}$		76		76		mV/ V_O	
Ripple Rejection	RR	$f = 120\text{Hz}$ $V_I = 15\text{V to } 25\text{V}$	55	71		55	71	dB	
Dropout Voltage	V_D	$I_O = 1\text{A}$, $T_J = +25^\circ\text{C}$		2		2		V	
Output Resistance	R_O	$f = 1\text{KHz}$		18		18		m Ω	
Short Circuit Current	I_{SC}	$V_I = 35\text{V}$, $T_A = +25^\circ\text{C}$		230		230		mA	
Peak Current	I_{PK}	$T_J = +25^\circ\text{C}$		2.2		2.2		A	

$T_{MIN} < T_J < T_{MAX}$

LM78XXI/RI: $T_{MIN} = -40^\circ\text{C}$, $T_{MAX} = +125^\circ\text{C}$

LM78XX/R: $T_{MIN} = 0^\circ\text{C}$, $T_{MAX} = +125^\circ\text{C}$

* Load and line regulation are specified at constant, junction temperature. Change in V_O due to heating effects must be taken into account separately. Pulse testing with low duty is used.

LM78XX (KA78XX, MC78XX) FIXED VOLTAGE REGULATOR (POSITIVE)

LM7815//R/RI ELECTRICAL CHARACTERISTICS

(Refer to test circuit, $T_{MIN} < T_J < T_{MAX}$, $I_O = 500mA$, $V_I = 23V$, $C_I = 0.33\mu F$, $C_O = 0.1\mu F$, unless otherwise specified)

Characteristic	Symbol	Test Conditions	LM7815I			LM7815			Unit	
			Min	Typ	Max	Min	Typ	Max		
Output Voltage	V_O	$T_J = +25^\circ C$	14.4	15	15.6	14.4	15	15.6	V	
		$5.0mA \leq I_O \leq 1.0A$, $P_D \leq 15W$ $V_I = 17.5V$ to $30V$ $V_I = 18.5V$ to $30V$	14.2 5	15	15.75	14.25	15	15.75		
Line Regulation	ΔV_O	$T_J = +25^\circ C$	$V_I = 17.5V$ to $30V$	11	300		11	300	mV	
			$V_I = 20V$ to $26V$		3	150		3		150
Load Regulation	ΔV_O	$T_J = +25^\circ C$	$I_O = 5mA$ to $1.5A$		12	300		12	300	mV
			$I_O = 250mA$ to $750mA$		4	150		4	150	
Quiescent Current	I_Q	$T_J = +25^\circ C$		5.2	8		5.2	8	mA	
Quiescent Current Change	ΔI_Q	$T_J = +25^\circ C$	$I_O = 5mA$ to $1.0A$			0.5			0.5	mA
			$V_I = 17.5V$ to $30V$						1.0	
			$V_I = 18.5V$ to $30V$			1.0				
Output Voltage Drift	$\Delta V_O / \Delta T$	$I_O = 5mA$		-1			-1		mV/°C	
Output Noise Voltage	V_N	$f = 10Hz$ to $100KHz$, $T_A = +25^\circ C$		90			90		$\mu V / V_O$	
Ripple Rejection	RR	$f = 120Hz$ $V_I = 18.5V$ to $28.5V$	54	70		54	70		dB	
Dropout Voltage	V_D	$I_O = 1A$, $T_J = +25^\circ C$		2			2		V	
Output Resistance	R_O	$f = 1KHz$		19			19		m Ω	
Short Circuit Current	I_{SC}	$V_I = 35V$, $T_A = +25^\circ C$		250			250		mA	
Peak Current	I_{PK}	$T_J = +25^\circ C$		2.2			2.2		A	

* $T_{MIN} < T_J < T_{MAX}$

LM78XXI/RI: $T_{MIN} = -40^\circ C$, $T_{MAX} = +125^\circ C$

LM78XX/R: $T_{MIN} = 0^\circ C$, $T_{MAX} = +125^\circ C$

* Load and line regulation are specified at constant, junction temperature. Change in V_O due to heating effects must be taken into account separately. Pulse testing with low duty is used.

LM78XX (KA78XX, MC78XX) FIXED VOLTAGE REGULATOR (POSITIVE)

LM7818I/R/RI ELECTRICAL CHARACTERISTICS

(Refer to test circuit, $T_{MIN} < T_J < T_{MAX}$, $I_O = 500mA$, $V_I = 27V$, $C_I = 0.33\mu F$, $C_O = 0.1\mu F$, unless otherwise specified)

Characteristic	Symbol	Test Conditions	LM7818I			LM7818			Unit
			Min	Typ	Max	Min	Typ	Max	
Output Voltage	V_O	$T_J = +25^\circ C$	17.3	18	18.7	17.3	18	18.7	V
		$5.0mA \leq I_O \leq 1.0A$, $P_D \leq 15W$ $V_I = 21V$ to 33V $V_I = 22V$ to 33V	17.1	18	18.9	17.1	18	18.9	
Line Regulation	ΔV_O	$T_J = +25^\circ C$	$V_I = 21V$ to 33V	15	360		15	360	mV
			$V_I = 24V$ to 30V	5	180		5	180	
Load Regulation	ΔV_O	$T_J = +25^\circ C$	$I_O = 5mA$ to 1.5A	15	360		15	360	mV
			$I_O = 250mA$ to 750mA	5.0	180		5.0	180	
Quiescent Current	I_Q	$T_J = +25^\circ C$		5.2	8		5.2	8	mA
Quiescent Current Change	ΔI_Q	$T_J = +25^\circ C$	$I_O = 5mA$ to 1.0A		0.5			0.5	mA
			$V_I = 21V$ to 33V					1	
			$V_I = 22V$ to 33V		1.0				
Output Voltage Drift	$\Delta V_O / \Delta T$	$I_O = 5mA$		-1			-1		mV/ $^\circ C$
Output Noise Voltage	V_N	$f = 10Hz$ to 100KHz, $T_A = +25^\circ C$		110			110		$\mu V / V_O$
Ripple Rejection	RR	$f = 120Hz$ $V_I = 22V$ to 32V	53	69		53	69		dB
Dropout Voltage	V_D	$I_O = 1A$, $T_J = +25^\circ C$		2			2		V
Output Resistance	R_O	$f = 1KHz$		22			22		m Ω
Short Circuit Current	I_{SC}	$V_I = 35V$, $T_A = +25^\circ C$		250			250		mA
Peak Current	I_{PK}	$T_J = +25^\circ C$		2.2			2.2		A

* $T_{MIN} < T_J < T_{MAX}$

LM78XXI/RI: $T_{MIN} = -40^\circ C$, $T_{MAX} = +125^\circ C$

LM78XX/R: $T_{MIN} = 0^\circ C$, $T_{MAX} = +125^\circ C$

* Load and line regulation are specified at constant, junction temperature. Change in V_O due to heating effects must be taken into account separately. Pulse testing with low duty is used.

LM78XX (KA78XX, MC78XX) FIXED VOLTAGE REGULATOR (POSITIVE)

LM7824I/R/RI ELECTRICAL CHARACTERISTICS

(Refer to test circuit, $T_{MIN} < T_J < T_{MAX}$, $I_O = 500\text{mA}$, $V_I = 33\text{V}$, $C_I = 0.33\mu\text{F}$, $C_O = 0.1\mu\text{F}$, unless otherwise specified)

Characteristic	Symbol	Test Conditions	LM7824I			LM7824			Unit
			Min	Typ	Max	Min	Typ	Max	
Output Voltage	V_O	$T_J = +25^\circ\text{C}$	23	24	25	23	24	25	V
		$5.0\text{mA} \leq I_O \leq 1.0\text{A}$, $P_D \leq 15\text{W}$ $V_I = 27\text{V to } 38\text{V}$ $V_I = 28\text{V to } 38\text{V}$	22.8	24	25.2	22.8	24	25.25	
Line Regulation	ΔV_O	$T_J = +25^\circ\text{C}$	$V_I = 27\text{V to } 38\text{V}$	17	480	17	480	mV	
			$V_I = 30\text{V to } 36\text{V}$	6	240	6	240		
Load Regulation	ΔV_O	$T_J = +25^\circ\text{C}$	$I_O = 5\text{mA to } 1.5\text{A}$	15	480	15	480	mV	
			$I_O = 250\text{mA to } 750\text{mA}$	5.0	240	5.0	240		
Quiescent Current	I_Q	$T_J = +25^\circ\text{C}$	5.2	8	5.2	8	mA		
Quiescent Current Change	ΔI_Q	$T_J = +25^\circ\text{C}$	$I_O = 5\text{mA to } 1.0\text{A}$	0.1	0.5	0.1	0.5	mA	
			$V_I = 27\text{V to } 38\text{V}$			0.5	1		
			$V_I = 28\text{V to } 38\text{V}$	0.5	1				
Output Voltage Drift	$\Delta V_O / \Delta T$	$I_O = 5\text{mA}$	-1.5		-1.5		mV/ $^\circ\text{C}$		
Output Noise Voltage	V_N	$f = 10\text{Hz to } 100\text{KHz}$, $T_A = +25^\circ\text{C}$	160		60		$\mu\text{V}/V_O$		
Ripple Rejection	RR	$f = 120\text{Hz}$ $V_I = 28\text{V to } 38\text{V}$	50	67	50	67	dB		
Dropout Voltage	V_D	$I_O = 1\text{A}$, $T_J = +25^\circ\text{C}$		2		2	V		
Output Resistance	R_O	$f = 1\text{KHz}$		28		28	$\text{m}\Omega$		
Short Circuit Current	I_{SC}	$V_I = 35\text{V}$, $T_A = +25^\circ\text{C}$		230		230	mA		
Peak Current	I_{PK}	$T_J = +25^\circ\text{C}$		2.2		2.2	A		

* $T_{MIN} < T_J < T_{MAX}$

LM78XXI/RI: $T_{MIN} = -40^\circ\text{C}$, $T_{MAX} = +125^\circ\text{C}$

LM78XX/R: $T_{MIN} = 0^\circ\text{C}$, $T_{MAX} = +125^\circ\text{C}$

* Load and line regulation are specified at constant junction temperature. Change in V_O due to heating effects must be taken into account separately. Pulse testing with low duty is used.

LM78XX (KA78XX, MC78XX) FIXED VOLTAGE REGULATOR (POSITIVE)

LM7805A/RA ELECTRICAL CHARACTERISTICS

(Refer to the test circuits. $T_J = 0$ to $+125^\circ\text{C}$, $I_O = 1\text{A}$, $V_I = 10\text{V}$, $C_I = 0.33\mu\text{F}$, $C_O = 0.1\mu\text{F}$, unless otherwise specified)

Characteristic	Symbol	Test Conditions	Min	Typ	Max	Unit
Output Voltage	V_O	$T_J = +25^\circ\text{C}$	4.9	5	5.1	V
		$I_O = 5\text{mA}$ to 1A , $P_D \leq 5\text{W}$ $V_I = 7.5$ to 20V	4.8	5	5.2	
Line Regulation	ΔV_O	$V_I = 7.5$ to 25V $I_O = 500\text{mA}$		5	50	V
		$V_I = 8\text{V}$ to 12V		3	50	
		$T_J = +25^\circ\text{C}$	$V_I = 7.3\text{V}$ to 25V $V_I = 8\text{V}$ to 12V		5 1.5	
Load Regulation	ΔV_O	$T_J = +25^\circ\text{C}$ $I_O = 5\text{mA}$ to 1.5A		9	100	V
		$I_O = 5\text{mA}$ to 1A		9	100	
		$I_O = 250$ to 750mA		4	50	
Quiescent Current	I_Q	$T_J = +25^\circ\text{C}$		5.0	6	mA
Quiescent Current Change	ΔI_Q	$I_O = 5\text{mA}$ to 1A			0.5	mA
		$V_I = 8\text{V}$ to 25V , $I_O = 500\text{mA}$			0.8	
		$V_I = 7.5\text{V}$ to 20V , $T_J = +25^\circ\text{C}$			0.8	
Output Voltage Drift	$\Delta V/\Delta T$	$I_O = 5\text{mA}$		-0.8		mV/ $^\circ\text{C}$
Output Noise Voltage	V_N	$f = 10\text{Hz}$ to 100KHz $T_A = +25^\circ\text{C}$		10		$\mu\text{V}/V_O$
Ripple Rejection	RR	$f = 120\text{Hz}$, $I_O = 500\text{mA}$ $V_I = 8\text{V}$ to 18V		68		dB
Dropout Voltage	V_D	$I_O = 1\text{A}$, $T_J = +25^\circ\text{C}$		2		V
Output Resistance	R_O	$f = 1\text{KHz}$		17		$\text{m}\Omega$
Short Circuit Current	I_{SC}	$V_I = 35\text{V}$, $T_A = +25^\circ\text{C}$		250		mA
Peak Current	I_{PK}	$T_J = +25^\circ\text{C}$		2.2		A

*Load and line regulation are specified at constant, junction temperature. Change in V_O due to heating effects must be taken into account separately. Pulse testing with low duty is used.

LM78XX (KA78XX, MC78XX) FIXED VOLTAGE REGULATOR (POSITIVE)

LM7806A/RA ELECTRICAL CHARACTERISTICS

(Refer to the test circuits. $T_J = 0$ to $+150$ °C, $I_O = 1$ A, $V_I = 11$ V, $C_I = 0.33\mu$ F, $C_O = 0.1\mu$ F, unless otherwise specified)

Characteristic	Symbol	Test Conditions	Min	Typ	Max	Unit	
Output Voltage	V_O	$T_J = +25$ °C	5.58	6	6.12	V	
		$I_O = 5$ mA to 1 A, $P_D \leq 15$ W $V_I = 8.6$ to 21 V	5.76	6	6.24		
Line Regulation	ΔV_O	$V_I = 8.6$ to 25 V $I_O = 500$ mA		5	60	mV	
		$V_I = 9$ V to 13 V		3	60		
		$T_J = +25$ °C	$V_I = 8.3$ V to 21 V		5		60
			$V_I = 9$ V to 13 V		1.5		30
Load Regulation	ΔV_O	$T_J = +25$ °C $I_O = 5$ mA to 1.5 A		9	100	mV	
		$I_O = 5$ mA to 1 A		4	100		
		$I_O = 250$ to 750 mA		5.0	50		
Quiescent Current	I_Q	$T_J = +25$ °C		4.3	6	mA	
Quiescent Current Change	ΔI_Q	$I_O = 5$ mA to 1 A			0.5	mA	
		$V_I = 9$ V to 25 V, $I_O = 500$ mA			0.8		
		$V_I = 8.5$ V to 21 V, $T_J = +25$ °C			0.8		
Output Voltage Drift	$\Delta V/\Delta T$	$I_O = 5$ mA		-0.8		mV/°C	
Output Noise Voltage	V_N	$f = 10$ Hz to 100 KHz $T_A = +25$ °C		10		μ V/ V_O	
Ripple Rejection	RR	$f = 120$ Hz, $I_O = 500$ mA $V_I = 9$ V to 19 V		65		dB	
Dropout Voltage	V_D	$I_O = 1$ A, $T_J = +25$ °C		2		V	
Output Resistance	R_O	$f = 1$ KHz		17		m Ω	
Short Circuit Current	I_{SC}	$V_I = 35$ V, $T_A = +25$ °C		250		mA	
Peak Current	I_{PK}	$T_J = +25$ °C		2.2		A	

* Load and line regulation are specified at constant, junction temperature. Change in V_O due to heating effects must be taken into account separately. Pulse testing with low duty is used.

LM78XX (KA78XX, MC78XX) FIXED VOLTAGE REGULATOR (POSITIVE)

LM7808A/RA ELECTRICAL CHARACTERISTICS

(Refer to the test circuits. $T_J = 0$ to $+150$ °C, $I_O = 1A$, $V_I = 14V$, $C_I = 0.33\mu F$, $C_O = 0.1\mu F$, unless otherwise specified)

Characteristic	Symbol	Test Conditions	Min	Typ	Max	Unit	
Output Voltage	V_O	$T_J = +25$ °C	7.84	8	8.16	V	
		$I_O = 5mA$ to 1A, $P_D \leq 15W$ $V_I = 8.6$ to 21V	7.7	8	8.3		
Line Regulation	ΔV_O	$V_I = 10.6$ to 25V $I_O = 500mA$		6	80	mV	
		$V_I = 11$ to 17V		3	80		
		$T_J = +25$ °C	$V_I = 10.4V$ to 23V		6		80
			$V_I = 11V$ to 17V		2		40
Load Regulation	ΔV_O	$T_J = +25$ °C $I_O = 5mA$ to 1.5A		12	100	mV	
		$I_O = 5mA$ to 1A		12	100		
		$I_O = 250$ to 750mA		5	50		
Quiescent Current	I_Q	$T_J = +25$ °C		5.0	6	mA	
Quiescent Current Change	ΔI_Q	$I_O = 5mA$ to 1A			0.5	mA	
		$V_I = 11V$ to 25V, $I_O = 500mA$			0.8		
		$V_I = 10.6V$ to 23V, $T_J = +25$ °C			0.8		
Output Voltage Drift	$\Delta V/\Delta T$	$I_O = 5mA$		-0.8		mV / °C	
Output Noise Voltage	V_N	$f = 10Hz$ to 100KHz $T_A = +25$ °C		10		$\mu V/V_O$	
Ripple Rejection	RR	$f = 120Hz$, $I_O = 500mA$ $V_I = 11.5V$ to 21.5V		62		dB	
Dropout Voltage	V_D	$I_O = 1A$, $T_J = +25$ °C		2		V	
Output Resistance	R_O	$f = 1KHz$		18		$m\Omega$	
Short Circuit Current	I_{SC}	$V_I = 35V$, $T_A = +25$ °C		250		mA	
Peak Current	I_{PK}	$T_J = +25$ °C		2.2		A	

* Load and line regulation are specified at constant, junction temperature. Change in V_O due to heating effects must be taken into account separately. Pulse testing with low duty is used.

LM78XX (KA78XX, MC78XX) FIXED VOLTAGE REGULATOR (POSITIVE)

LM7809A/RA ELECTRICAL CHARACTERISTICS

(Refer to the test circuits. $T_J = 0$ to $+125^\circ\text{C}$, $I_O = 1\text{A}$, $V_I = 15\text{V}$, $C_I = 0.33\mu\text{F}$, $C_O = 0.1\mu\text{F}$, unless otherwise specified)

Characteristic	Symbol	Test Conditions	Min	Typ	Max	Unit	
Output Voltage	V_O	$T_J = +25^\circ\text{C}$	8.82	9.0	9.18	V	
		$I_O = 5\text{mA}$ to 1A , $P_D \leq 15\text{W}$ $V_I = 11.2$ to 24V	8.65	9.0	9.35		
Line Regulation	ΔV_O	$V_I = 11.7$ to 25V $I_O = 500\text{mA}$		6	90	mV	
		$V_I = 12.5$ to 19V		4	45		
		$T_J = +25^\circ\text{C}$	$V_I = 11.5\text{V}$ to 24V		6		90
			$V_I = 12.5\text{V}$ to 19V		2		45
Load Regulation	ΔV_O	$T_J = +25^\circ\text{C}$ $I_O = 5\text{mA}$ to 1.0A		12	100	mV	
		$I_O = 5\text{mA}$ to 1.0A		12	100		
		$I_O = 250$ to 750mA		5	50		
Quiescent Current	I_Q	$T_J = +25^\circ\text{C}$		5.0	6.0	mA	
Quiescent Current Change	ΔI_Q	$V_I = 11.7\text{V}$ to 25V , $T_J = +25^\circ\text{C}$			0.8	mA	
		$V_I = 12\text{V}$ to 25V , $I_O = 500\text{mA}$			0.8		
		$I_O = 5\text{mA}$ to 1.0A			0.5		
Output Voltage Drift	$\Delta V/\Delta T$	$I_O = 5\text{mA}$		-1.0		mV/ $^\circ\text{C}$	
Output Noise Voltage	V_N	$f = 10\text{Hz}$ to 100KHz $T_A = +25^\circ\text{C}$		10		$\mu\text{V}/V_O$	
Ripple Rejection	RR	$f = 120\text{Hz}$, $I_O = 500\text{mA}$ $V_I = 12\text{V}$ to 22V		62		dB	
Dropout Voltage	V_D	$I_O = 1\text{A}$, $T_J = +25^\circ\text{C}$		2.0		V	
Output Resistance	R_O	$f = 1\text{KHz}$		17		$\text{m}\Omega$	
Short Circuit Current	I_{SC}	$V_I = 35\text{V}$, $T_A = +25^\circ\text{C}$		250		mA	
Peak Current	I_{PK}	$T_J = +25^\circ\text{C}$		2.2		A	

* Load and line regulation are specified at constant, junction temperature. Change in V_O due to heating effects must be taken into account separately. Pulse testing with low duty is used.

LM78XX (KA78XX, MC78XX) FIXED VOLTAGE REGULATOR (POSITIVE)

LM7810A/RA ELECTRICAL CHARACTERISTICS

(Refer to the test circuits. $T_J = 0$ to $+125$ °C, $I_O = 1$ A, $V_I = 16$ V, $C_I = 0.33\mu$ F, $C_O = 0.1\mu$ F, unless otherwise specified)

Characteristic	Symbol	Test Conditions	Min	Typ	Max	Unit
Output Voltage	V_O	$T_J = +25$ °C	9.8	10	10.2	V
		$I_O = 5$ mA to 1 A, $P_D \leq 15$ W $V_I = 12.8$ to 25 V	9.6	10	10.4	
Line Regulation	ΔV_O	$V_I = 12.8$ to 26 V $I_O = 500$ mA		8	100	mV
		$V_I = 13$ to 20 V		4	50	
		$T_J = +25$ °C	$V_I = 12.5$ V to 25 V $V_I = 13$ V to 20 V		8 3	
Load Regulation	ΔV_O	$T_J = +25$ °C $I_O = 5$ mA to 1.5 A		12	100	mV
		$I_O = 5$ mA to 1.0 A		12	100	
		$I_O = 250$ to 750 mA		5	50	
Quiescent Current	I_Q	$T_J = +25$ °C		5.0	6.0	mA
Quiescent Current Change	ΔI_Q	$V_I = 13$ V to 26 V, $T_J = +25$ °C			0.5	mA
		$V_I = 12.8$ V to 25 V, $I_O = 500$ mA			0.8	
		$I_O = 5$ mA to 1.0 A			0.5	
Output Voltage Drift	$\Delta V/\Delta T$	$I_O = 5$ mA		-1.0		mV/°C
Output Noise Voltage	V_N	$f = 10$ Hz to 100 KHz $T_A = +25$ °C		10		μ V/ V_O
Ripple Rejection	RR	$f = 120$ Hz, $I_O = 500$ mA $V_I = 14$ V to 24 V		62		dB
Dropout Voltage	V_D	$I_O = 1$ A, $T_J = +25$ °C		2.0		V
Output Resistance	R_O	$f = 1$ KHz		17		m Ω
Short Circuit Current	I_{SC}	$V_I = 35$ V, $T_A = +25$ °C		250		mA
Peak Current	I_{PK}	$T_J = +25$ °C		2.2		A

* Load and line regulation are specified at constant, junction temperature. Change in V_O due to heating effects must be taken into account separately. Pulse testing with low duty is used.

LM78XX (KA78XX, MC78XX) FIXED VOLTAGE REGULATOR (POSITIVE)

LM7811A/RA ELECTRICAL CHARACTERISTICS

(Refer to the test circuits. $T_J = 0$ to $+125^\circ\text{C}$, $I_O = 1\text{A}$, $V_I = 18\text{V}$, $C_I = 0.33\mu\text{F}$, $C_O = 0.1\mu\text{F}$, unless otherwise specified)

Characteristic	Symbol	Test Conditions	Min	Typ	Max	Unit	
Output Voltage	V_O	$T_J = +25^\circ\text{C}$	10.8	11.0	11.2	V	
		$I_O = 5\text{mA}$ to 1A , $P_D \leq 15\text{W}$ $V_I = 13.8$ to 26V	10.6	11.0	11.4		
Line Regulation	ΔV_O	$V_I = 12.8$ to 26V $I_O = 500\text{mA}$		10	110	mV	
		$V_I = 15$ to 21V		4	55		
		$T_J = +25^\circ\text{C}$	$V_I = 13.5\text{V}$ to 26V		10		110
			$V_I = 15\text{V}$ to 21V		3		55
Load Regulation	ΔV_O	$T_J = +25^\circ\text{C}$ $I_O = 5\text{mA}$ to 1.5A		12	100	mV	
		$I_O = 5\text{mA}$ to 1.0A		12	100		
		$I_O = 250$ to 750mA		5	50		
Quiescent Current	I_Q	$T_J = +25^\circ\text{C}$		5.1	6.0	mA	
Quiescent Current Change	ΔI_Q	$V_I = 13.8\text{V}$ to 26V , $T_J = +25^\circ\text{C}$			0.8	mA	
		$V_I = 14\text{V}$ to 27V , $I_O = 500\text{mA}$			0.8		
		$I_O = 5\text{mA}$ to 1.0A			0.5		
Output Voltage Drift	$\Delta V_O/\Delta T$	$I_O = 5\text{mA}$		-1.0		mV/ $^\circ\text{C}$	
Output Noise Voltage	V_N	$f = 10\text{Hz}$ to 100KHz $T_A = +25^\circ\text{C}$		10		$\mu\text{V}/V_O$	
Ripple Rejection	RR	$f = 120\text{Hz}$, $I_O = 500\text{mA}$ $V_I = 14\text{V}$ to 24V		61		dB	
Dropout Voltage	V_D	$I_O = 1\text{A}$, $T_J = +25^\circ\text{C}$		2.0		V	
Output Resistance	R_O	$f = 1\text{KHz}$		18		$\text{m}\Omega$	
Short Circuit Current	I_{SC}	$V_I = 35\text{V}$, $T_A = +25^\circ\text{C}$		250		mA	
Peak Current	I_{PK}	$T_J = +25^\circ\text{C}$		2.2		A	

* Load and line regulation are specified at constant, junction temperature. Change in V_O due to heating effects must be taken into account separately. Pulse testing with low duty is used.

LM78XX (KA78XX, MC78XX) FIXED VOLTAGE REGULATOR (POSITIVE)

LM7812A/RA ELECTRICAL CHARACTERISTICS

(Refer to the test circuits. $T_J = 0$ to $+125^\circ\text{C}$, $I_O = 1\text{A}$, $V_I = 19\text{V}$, $C_I = 0.33\mu\text{F}$, $C_O = 0.1\mu\text{F}$, unless otherwise specified)

Characteristic	Symbol	Test Conditions	Min	Typ	Max	Unit	
Output Voltage	V_O	$T_J = +25^\circ\text{C}$	11.75	12	12.25	V	
		$I_O = 5\text{mA}$ to 1A , $P_D \leq 15\text{W}$ $V_I = 14.8$ to 27V	11.5	12	12.5		
Line Regulation	ΔV_O	$V_I = 14.8$ to 30V $I_O = 500\text{mA}$		10	120	mV	
		$V_I = 16$ to 22V		4	120		
		$T_J = +25^\circ\text{C}$	$V_I = 14.5\text{V}$ to 27V		10		120
			$V_I = 16\text{V}$ to 22V		3		60
Load Regulation	ΔV_O	$T_J = +25^\circ\text{C}$ $I_O = 5\text{mA}$ to 1.5A		12	100	mV	
		$I_O = 5\text{mA}$ to 1.0A		12	100		
		$I_O = 250$ to 750mA		5	50		
Quiescent Current	I_Q	$T_J = +25^\circ\text{C}$		5.1	6.0	mA	
Quiescent Current Change	ΔI_Q	$V_I = 15\text{V}$ to 30V , $T_J = +25^\circ\text{C}$			0.5	mA	
		$V_I = 14\text{V}$ to 27V , $I_O = 500\text{mA}$			0.8		
		$I_O = 5\text{mA}$ to 1.0A			0.8		
Output Voltage Drift	$\Delta V_O/\Delta T$	$I_O = 5\text{mA}$		-1.0		mV/ $^\circ\text{C}$	
Output Noise Voltage	V_N	$f = 10\text{Hz}$ to 100KHz $T_A = +25^\circ\text{C}$		10		$\mu\text{V}/V_O$	
Ripple Rejection	RR	$f = 120\text{Hz}$, $I_O = 500\text{mA}$ $V_I = 14\text{V}$ to 24V		60		dB	
Dropout Voltage	V_D	$I_O = 1\text{A}$, $T_J = +25^\circ\text{C}$		2.0		V	
Output Resistance	R_O	$f = 1\text{KHz}$		18		$\text{m}\Omega$	
Short Circuit Current	I_{SC}	$V_I = 35\text{V}$, $T_A = +25^\circ\text{C}$		250		mA	
Peak Current	I_{PK}	$T_J = +25^\circ\text{C}$		2.2		A	

* Load and line regulation are specified at constant, junction temperature. Change in V_O due to heating effects must be taken into account separately. Pulse testing with low duty is used.

LM78XX (KA78XX, MC78XX) FIXED VOLTAGE REGULATOR (POSITIVE)

LM7815A/RA ELECTRICAL CHARACTERISTICS

(Refer to the test circuits. $T_J = 0$ to $+150^\circ\text{C}$, $I_O = 1\text{A}$, $V_I = 23\text{V}$, $C_I = 0.33\mu\text{F}$, $C_O = 0.1\mu\text{F}$, unless otherwise specified)

Characteristic	Symbol	Test Conditions	Min	Typ	Max	Unit
Output Voltage	V_O	$T_J = +25^\circ\text{C}$	14.7	15	15.3	V
		$I_O = 5\text{mA}$ to 1A , $P_D \leq 15\text{W}$ $V_I = 17.7$ to 30V	14.4	15	15.6	
Line Regulation	ΔV_O	$V_I = 17.9$ to 30V $I_O = 500\text{mA}$		10	150	mV
		$V_I = 20$ to 26V		5	150	
		$T_J = +25^\circ\text{C}$	$V_I = 17.5\text{V}$ to 30V $V_I = 20\text{V}$ to 26V		11 3	
Load Regulation	ΔV_O	$T_J = +25^\circ\text{C}$ $I_O = 5\text{mA}$ to 1.5A		12	100	mV
		$I_O = 5\text{mA}$ to 1.0A		12	100	
		$I_O = 250$ to 750mA		5	50	
Quiescent Current	I_Q	$T_J = +25^\circ\text{C}$		5.2	6.0	mA
Quiescent Current Change	ΔI_Q	$V_I = 17.5\text{V}$ to 30V , $T_J = +25^\circ\text{C}$			0.5	mA
		$V_I = 17.5\text{V}$ to 30V , $I_O = 500\text{mA}$			0.8	
		$I_O = 5\text{mA}$ to 1.0A			0.8	
Output Voltage Drift	$\Delta V_O/\Delta T$	$I_O = 5\text{mA}$		-1.0		mV/ $^\circ\text{C}$
Output Noise Voltage	V_N	$f = 10\text{Hz}$ to 100KHz $T_A = +25^\circ\text{C}$		10		$\mu\text{V}/V_O$
Ripple Rejection	RR	$f = 120\text{Hz}$, $I_O = 500\text{mA}$ $V_I = 18.5\text{V}$ to 28.5V		58		dB
Dropout Voltage	V_D	$I_O = 1\text{A}$, $T_J = +25^\circ\text{C}$		2.0		V
Output Resistance	R_O	$f = 1\text{KHz}$		19		$\text{m}\Omega$
Short Circuit Current	I_{SC}	$V_I = 35\text{V}$, $T_A = +25^\circ\text{C}$		250		mA
Peak Current	I_{PK}	$T_J = +25^\circ\text{C}$		2.2		A

* Load and line regulation are specified at constant, junction temperature. Change in V_O due to heating effects must be taken into account separately. Pulse testing with low duty is used.

LM78XX (KA78XX, MC78XX) FIXED VOLTAGE REGULATOR (POSITIVE)

LM7818A/RA ELECTRICAL CHARACTERISTICS

(Refer to the test circuits. $T_J = 0$ to $+150^\circ\text{C}$, $I_O = 1\text{A}$, $V_I = 27\text{V}$, $C_I = 0.33\mu\text{F}$, $C_O = 0.1\mu\text{F}$, unless otherwise specified)

Characteristic	Symbol	Test Conditions	Min	Typ	Max	Unit	
Output Voltage	V_O	$T_J = +25^\circ\text{C}$	17.64	18	18.36	V	
		$I_O = 5\text{mA}$ to 1A , $P_D \leq 15\text{W}$ $V_I = 21$ to 33V	17.3	18	18.7		
Line Regulation	ΔV_O	$V_I = 21$ to 33V $I_O = 500\text{mA}$		15	180	mV	
		$V_I = 21$ to 33V		5	180		
		$T_J = +25^\circ\text{C}$	$V_I = 20.6\text{V}$ to 33V		15		180
			$V_I = 24\text{V}$ to 30V		5		90
Load Regulation	ΔV_O	$T_J = +25^\circ\text{C}$ $I_O = 5\text{mA}$ to 1.5A		15	100	mV	
		$I_O = 5\text{mA}$ to 1.0A		15	100		
		$I_O = 250$ to 750mA		7	50		
Quiescent Current	I_Q	$T_J = +25^\circ\text{C}$		5.2	6.0	mA	
Quiescent Current Change	ΔI_Q	$V_I = 21\text{V}$ to 33V , $T_J = +25^\circ\text{C}$			0.5	mA	
		$V_I = 21\text{V}$ to 33V , $I_O = 500\text{mA}$			0.8		
		$I_O = 5\text{mA}$ to 1.0A			0.8		
Output Voltage Drift	$\Delta V_O / \Delta T$	$I_O = 5\text{mA}$		-1.0		mV/ $^\circ\text{C}$	
Output Noise Voltage	V_N	$f = 10\text{Hz}$ to 100KHz $T_A = +25^\circ\text{C}$		10		$\mu\text{V}/V_O$	
Ripple Rejection	RR	$f = 120\text{Hz}$, $I_O = 500\text{mA}$ $V_I = 18.5\text{V}$ to 28.5V		57		dB	
Dropout Voltage	V_D	$I_O = 1\text{A}$, $T_J = +25^\circ\text{C}$		2.0		V	
Output Resistance	R_O	$f = 1\text{KHz}$		19		$\text{m}\Omega$	
Short Circuit Current	I_{SC}	$V_I = 35\text{V}$, $T_A = +25^\circ\text{C}$		250		mA	
Peak Current	I_{PK}	$T_J = +25^\circ\text{C}$		2.2		A	

* Load and line regulation are specified at constant, junction temperature. Change in V_O due to heating effects must be taken into account separately. Pulse testing with low duty is used.

LM78XX (KA78XX, MC78XX) FIXED VOLTAGE REGULATOR (POSITIVE)

LM7824A/RA ELECTRICAL CHARACTERISTICS

(Refer to the test circuits. $T_J = 0$ to $+150^\circ\text{C}$, $I_O = 1\text{A}$, $V_I = 33\text{V}$, $C_I = 0.33\mu\text{F}$, $C_O = 0.1\mu\text{F}$, unless otherwise specified)

Characteristic	Symbol	Test Conditions	Min	Typ	Max	Unit	
Output Voltage	V_O	$T_J = +25^\circ\text{C}$	23.5	24	24.5	V	
		$I_O = 5\text{mA}$ to 1A , $P_D \leq 15\text{W}$ $V_I = 27.3$ to 38V	23	24	25		
Line Regulation	ΔV_O	$V_I = 27$ to 38V $I_O = 500\text{mA}$		18	240	mV	
		$V_I = 21$ to 33V		6	240		
		$T_J = +25^\circ\text{C}$	$V_I = 26.7\text{V}$ to 38V		18		240
			$V_I = 30\text{V}$ to 36V		6		120
Load Regulation	ΔV_O	$T_J = +25^\circ\text{C}$ $I_O = 5\text{mA}$ to 1.5A		15	100	mV	
		$I_O = 5\text{mA}$ to 1.0A		15	100		
		$I_O = 250$ to 750mA		7	50		
Quiescent Current	I_Q	$T_J = +25^\circ\text{C}$		5.2	6.0	mA	
Quiescent Current Change	ΔI_Q	$V_I = 27.3\text{V}$ to 38V , $T_J = +25^\circ\text{C}$			0.5	mA	
		$V_I = 27.3\text{V}$ to 38V , $I_O = 500\text{mA}$			0.8		
		$I_O = 5\text{mA}$ to 1.0A			0.8		
Output Voltage Drift	$\Delta V_O/\Delta T$	$I_O = 5\text{mA}$		-1.5		mV/ $^\circ\text{C}$	
Output Noise Voltage	V_N	$f = 10\text{Hz}$ to 100KHz $T_A = 25^\circ\text{C}$		10		$\mu\text{V}/V_O$	
Ripple Rejection	RR	$f = 120\text{Hz}$, $I_O = 500\text{mA}$ $V_I = 18.5\text{V}$ to 28.5V		54		dB	
Dropout Voltage	V_D	$I_O = 1\text{A}$, $T_J = +25^\circ\text{C}$		2.0		V	
Output Resistance	R_O	$f = 1\text{KHz}$		20		$\text{m}\Omega$	
Short Circuit Current	I_{SC}	$V_I = 35\text{V}$, $T_A = +25^\circ\text{C}$		250		mA	
Peak Current	I_{PK}	$T_J = +25^\circ\text{C}$		2.2		A	

* Load and line regulation are specified at constant, junction temperature. Change in V_O due to heating effects must be taken into account separately. Pulse testing with low duty is used.

LM78XX (KA78XX, MC78XX) FIXED VOLTAGE REGULATOR (POSITIVE)

TYPICAL PERFORMANCE CHARACTERISTICS

Fig. 1 Quiescent Current

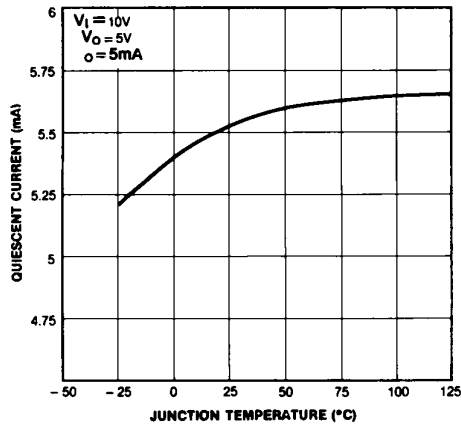


Fig. 2 Peak Output Current

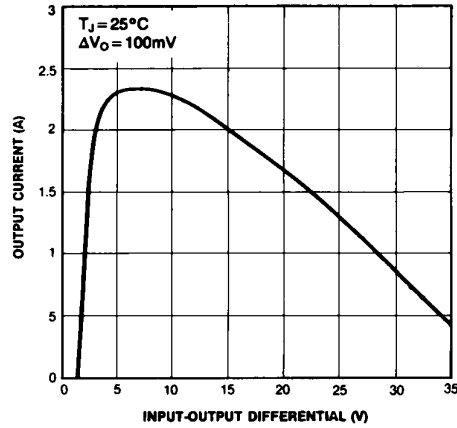


Fig. 3 Output Voltage

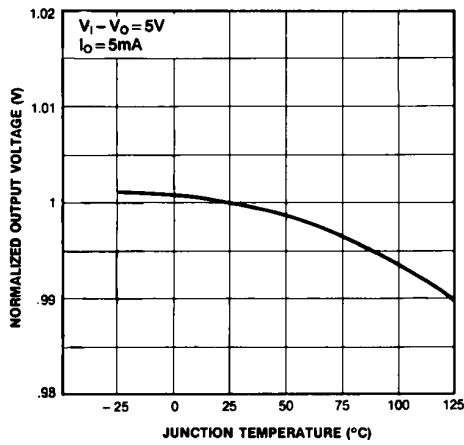
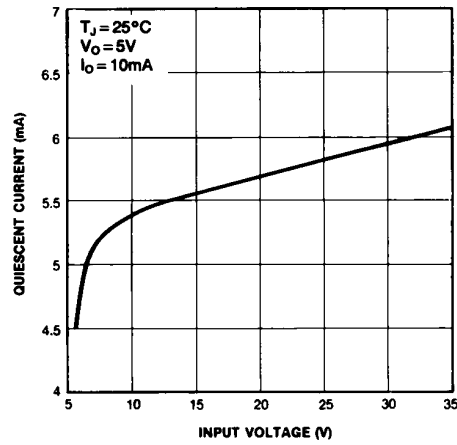


Fig. 4 Quiescent Current



LM78XX (KA78XX, MC78XX) FIXED VOLTAGE REGULATOR (POSITIVE)

TYPICAL APPLICATIONS

Fig. 5 DC Parameters

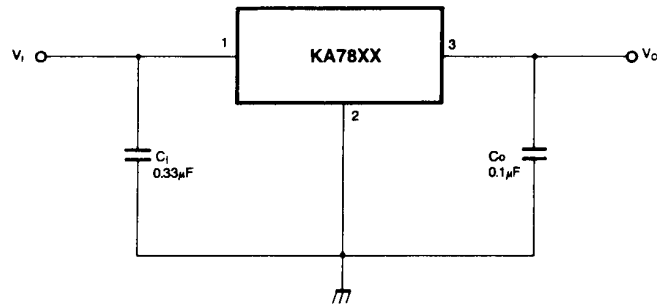


Fig. 6 Load Regulation

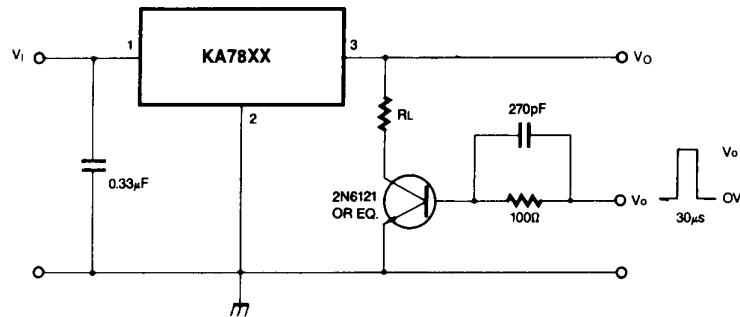
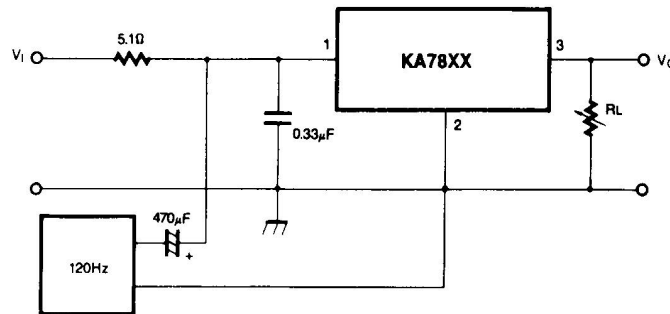


Fig. 7 Ripple Rejection



FAIRCHILD
SEMICONDUCTOR™

LM78XX (KA78XX, MC78XX) FIXED VOLTAGE REGULATOR (POSITIVE)

Fig. 8 Fixed Output Regulator

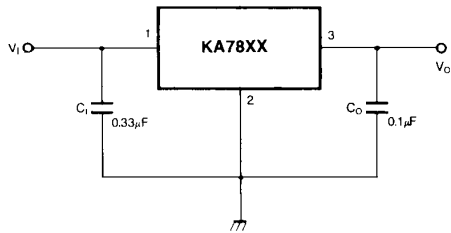
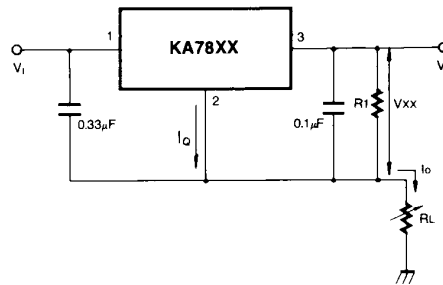


Fig. 9 Constant Current Regulator



$$I_o = \frac{V_{XX}}{R_1} + I_Q$$

Notes:

- (1) To specify an output voltage, substitute voltage value for "XX."
A common ground is required between the input and the Output voltage. The input voltage must remain typically 2.0V above the output voltage even during the low point on the input ripple voltage.
- (2) C_i is required if regulator is located an appreciable distance from power Supply filter.
- (3) C_o improves stability and transient response.

Fig. 10 Circuit for Increasing Output Voltage

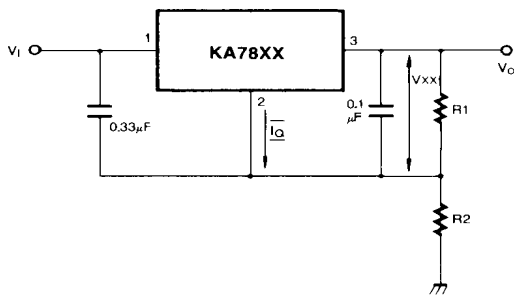
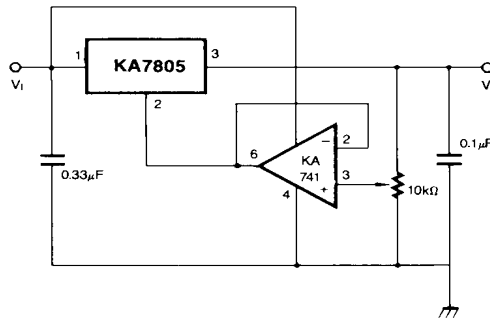


Fig. 11 Adjustable Output Regulator (7 to 30V)



$$I_{R1} \geq 5 I_Q$$

$$V_o = V_{XX} (1 + R_2/R_1) + I_Q R_2$$

LM78XX (KA78XX, MC78XX) FIXED VOLTAGE REGULATOR (POSITIVE)

TYPICAL APPLICATIONS (Continued)

Fig. 12 High Current Voltage Regulator

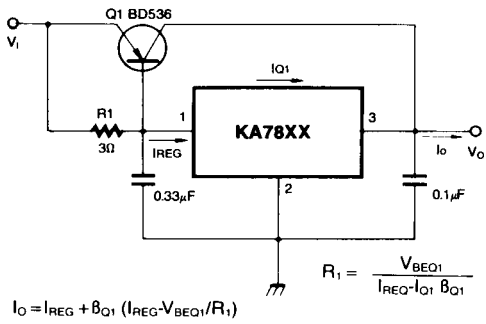


Fig. 13 High Output Current with Short Circuit Protection

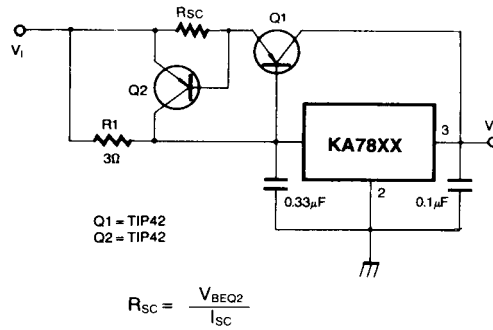


Fig. 14 Tracking Voltage Regulator

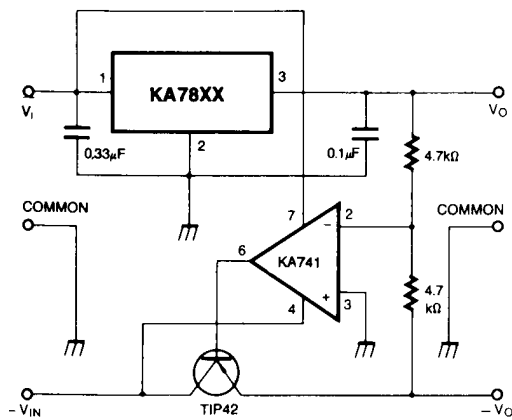
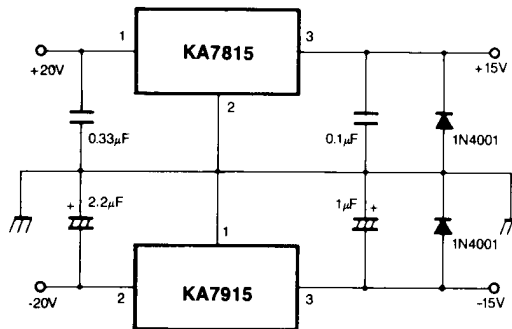


Fig. 15 Split Power Supply (±15V-1A)



LM78XX (KA78XX, MC78XX) FIXED VOLTAGE REGULATOR (POSITIVE)

TYPICAL APPLICATIONS (Continued)

Fig. 16 Negative Output Voltage Circuit

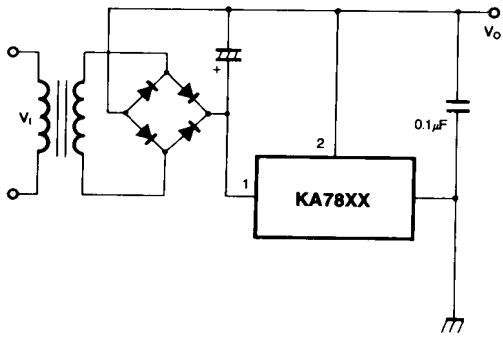
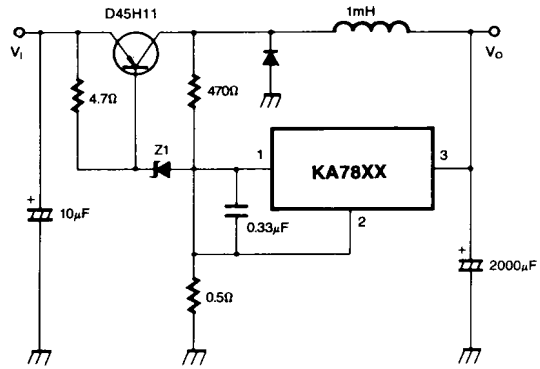


Fig. 17 switching Regulator



LM78XX (KA78XX, MC78XX) FIXED VOLTAGE REGULATOR (POSITIVE)

TRADEMARKS

The following are registered and unregistered trademarks Fairchild Semiconductor owns or is authorized to use and is not intended to be an exhaustive list of all such trademarks.

ACEx™	ISOPLANAR™
CoolFET™	MICROWIRE™
CROSSVOLT™	POP™
E ² CMOS™	PowerTrench™
FACT™	QS™
FACT Quiet Series™	Quiet Series™
FAST®	SuperSOT™-3
FASTr™	SuperSOT™-6
GTO™	SuperSOT™-8
HiSeC™	TinyLogic™

DISCLAIMER

FAIRCHILD SEMICONDUCTOR RESERVES THE RIGHT TO MAKE CHANGES WITHOUT FURTHER NOTICE TO ANY PRODUCTS HEREIN TO IMPROVE RELIABILITY, FUNCTION OR DESIGN. FAIRCHILD DOES NOT ASSUME ANY LIABILITY ARISING OUT OF THE APPLICATION OR USE OF ANY PRODUCT OR CIRCUIT DESCRIBED HEREIN; NEITHER DOES IT CONVEY ANY LICENSE UNDER ITS PATENT RIGHTS, NOR THE RIGHTS OF OTHERS.

LIFE SUPPORT POLICY

FAIRCHILD'S PRODUCTS ARE NOT AUTHORIZED FOR USE AS CRITICAL COMPONENTS IN LIFE SUPPORT DEVICES OR SYSTEMS WITHOUT THE EXPRESS WRITTEN APPROVAL OF FAIRCHILD SEMICONDUCTOR CORPORATION. As used herein:

1. Life support devices or systems are devices or systems which, (a) are intended for surgical implant into the body, or (b) support or sustain life, or (c) whose failure to perform when properly used in accordance with instructions for use provided in the labeling, can be reasonably expected to result in significant injury to the user.
2. A critical component is any component of a life support device or system whose failure to perform can be reasonably expected to cause the failure of the life support device or system, or to affect its safety or effectiveness.

PRODUCT STATUS DEFINITIONS

Definition of Terms

Datasheet Identification	Product Status	Definition
Advance Information	Formative or In Design	This datasheet contains the design specifications for product development. Specifications may change in any manner without notice.
Preliminary	First Production	This datasheet contains preliminary data, and supplementary data will be published at a later date. Fairchild Semiconductor reserves the right to make changes at any time without notice in order to improve design.
No Identification Needed	Full Production	This datasheet contains final specifications. Fairchild Semiconductor reserves the right to make changes at any time without notice in order to improve design.
Obsolete	Not In Production	This datasheet contains specifications on a product that has been discontinued by Fairchild semiconductor. The datasheet is printed for reference information only.